

ELMARK[®]

The Brand of Electricity

CARMEN SERIES



GENERAL INFORMATION »

- ∴ Nominal voltage: 230V / 50-60Hz
- ∴ Colour: White and Chrome
- ∴ Lamp holder: E27
- ∴ Lamps Not Included, Max 40W
- ∴ Material: Metal
- ∴ Protection against dust and moisture: IP20



FEATURES »

- ∴ Appearance suitable for modern furnishing
- ∴ Stylish lines and chromed body have achieved the attractive outlook of each chandelier.
- ∴ Low energy consumption
- ∴ Environmentally Friendly – does not emit Mercury and Lead
- ∴ No ultraviolet and infrared rays

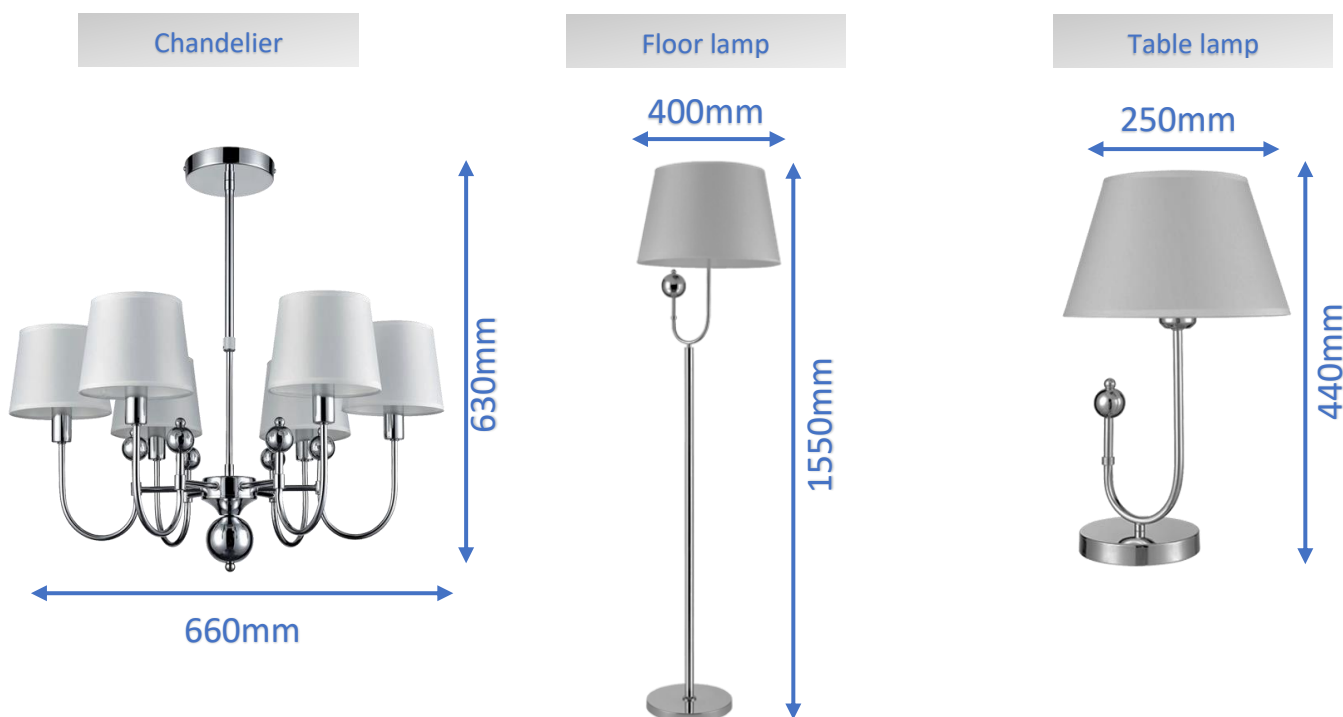
AREAS OF APPLICATION »

- ∴ Residential Buildings
- ∴ Commercial Buildings
- ∴ Hotels

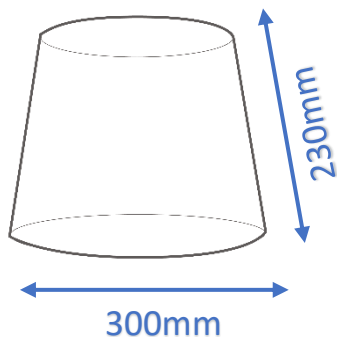
PRODUCT DETAILS »

Catalogue number	Description	Colour	Lampholder
955CARMEN1F	Floor lamp	White & chrome	1xE27
955CARMEN1T	Table lamp	White & chrome	1xE27
955CARMEN6	Chandelier	White & chrome	6xE27

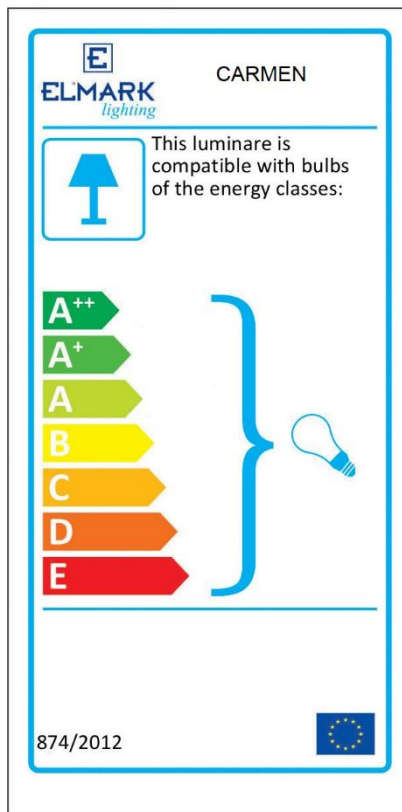
DIMENSIONS »



Shade



ADDITIONAL INFORMATION »



Catalogue number	Barcode	Packing/Box (pcs)
955CARMEN1F	3800131230409	1/1
955CARMEN1T	3800131230416	1/1
955CARMEN6	3800131230423	1/1

